

Isolated DC-DC Converter

Typical Efficiency 87%

High input voltage 200 – 1000V

IP67, Surge, OC, OV, SC protected

Meet EN60950, RoHS 5/6



RoHS

CE

Input Characteristic

Default Input Voltage Range

600V 200 - 1000VDC

350V 100 - 600VDC

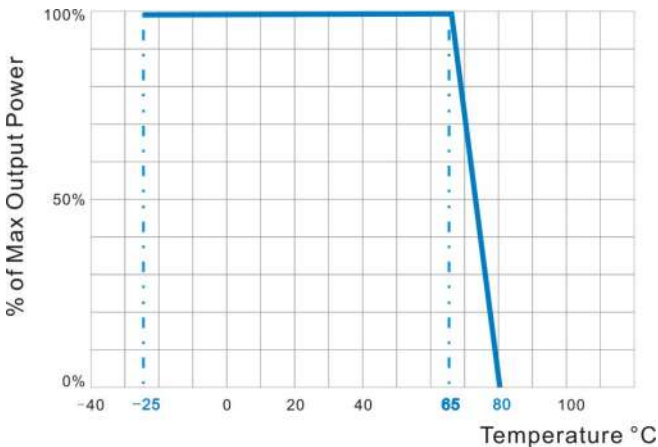
Input Reverse Protection: No

Input Under Voltage Protection: Yes

Output Voltage: 24 VDC (± 0.3 VDC)

Output Current: 0 - 8.3 A

Temperature performance:



Output Characteristic

Typical Efficiency: 87%

Ripple p-p: 100mV

Load Regulation: 0.4%

Line Regulation : 0.2%

Dynamic response: $\pm 5.0/500\mu s$

Short-circuit Protection: 110-130% of rated output

Start Time Delay: $\leq 5S$

Temperature co-efficiency $\pm 0.02\%/^{\circ}C$

Other info

Operating temperature: $-25^{\circ}C \sim +65^{\circ}C$

Max Allowed Case Temperature: $100^{\circ}C$

Insulation:

Input-Output Input-Case Output-Case: 100M Ohm @500V

Noise: $\leq 55dB$ (full load)

ESD: Level3 Direct $\pm 6KV$; Air $\pm 8KV$

Surge: Differential 2KV; Common 4KV

Storage Temperature:

Industrial $-40^{\circ}C \sim +85^{\circ}C$

Storage Humidity: 10-95%

Isolation Voltage:

Input - Output 4000 VDC $\leq 5mA/1min$ *

Input - Case 3000VDC $\leq 5mA/1min$

Output - Case 1000VDC $\leq 5mA/1min$

MTBF: 100000Hrs

Case Material: Metal

Weight: 1.5 kg

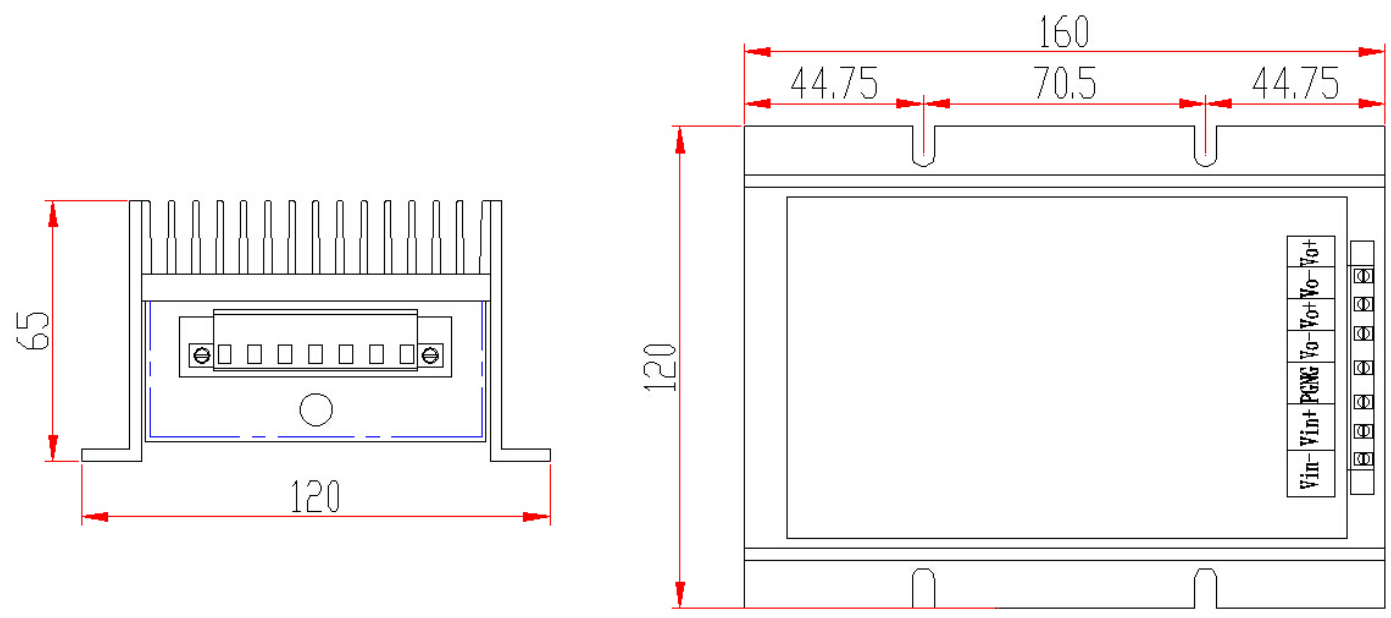
Ordering Information:

CLS200P - □ S 24
 Mean Input Voltage (600V or 350V)

Example:

Input	Output	Max Output Current / Power	Model
600V (200~1000VDC)	24V	200W	CLS200P-600S24
350V (100~600VDC)	24V	200W	CLS200P-350S24

Dimensions:



L (160mm) *W (120mm) *H (65mm)

Application Example (CLS200 - 600S24)

