

Isolated DC-DC Converter

Typical Efficiency 80%

SC Protection (Auto Recover)

Can Be 3 Outputs

Low Ripple, Metal Case Shield

Remote Control and Trim Function



Input Characteristic

Default Input Voltage Range (2:1)

5V	4.5~9VDC
12V	9~18VDC
24V	18~36VDC
48V	36~72VDC
110V	74~144VDC

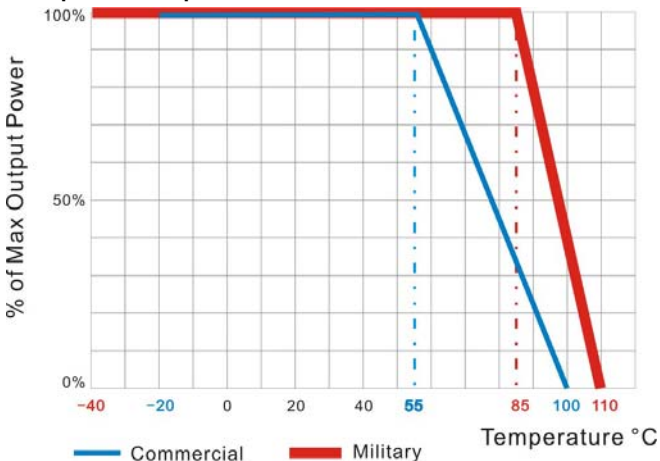
Wide Input Voltage Range (4:1)

12V	10~36VDC
48V	18~72VDC

Input Reverse Protection: No

Input Under Voltage Protection: Yes

Temperature performance:



Output Characteristic

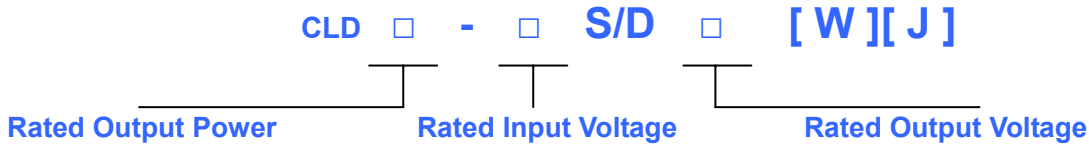
Typical Efficiency:	80%
Ripple p-p:	1% of output voltage (MAX 200mV)
Load Regulation:	0.5%
Line Regulation :	0.2%
Dynamic response:	± 4.0/500us%
Short-circuit Protection:	yes
Start Time Delay:	≤200mS

Other info

Switching frequency:	300KHz ± 30 KHz
Operating temperature:	Industrial -25°C ~ +55°C Military -40°C ~ +85°C
Max Allowed Case Temperature:	Industrial 100°C Military 110°C
Storage Temperature:	Industrial -40°C ~ +105°C Military -55°C ~ +120°C
Storage Humidity:	20~90%
Isolation Voltage:	Input - Output 500/1000 VDC ≤ 0.5mA/1min * Input - Case 500Vdc ≤ 0.5mA/1min
MTBF:	200000Hrs
Case Material:	Metal
Remote ON/OFF:	ON REM linked to high elec level (+3.5V~Vin+) OFF REM linked to GND

\* Please specify when order

Ordering Information:

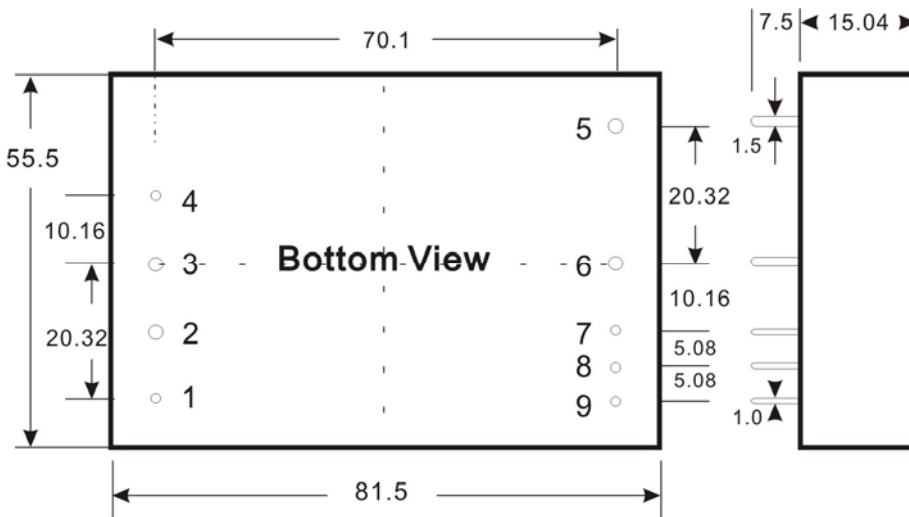


**Note:** S – Single Output      D – Dual Outputs  
 J – Military      W - 4:1 input      (Leave it empty for Industrial normal input range)

Example:

Input	Output	Max Output Current / Power	Model
12V (18~36VDC)	24V	1.7A (40W)	CLD40-12S24
24V (18~36VDC)	12V	3.3A (40W)	CLD40-24S12
24V (18~36VDC)	24V	1.7A (40W)	CLD40-24S24
12V (9~18VDC)	5V	8A (40W)	CLD40-12S05
5V (4.5~9VDC)	+/-5V	+/-4A (40W)	CLD40-05D05
24V (9~36VDC) W	12V	5A (60W)	CLD60-24S12W

Dimensions:



Pin	Single
1	REM
2	Vin -
3	Vin +
4	FG
5	Vout +
6	GND
7	S +
8	TRIM
9	S -

Unit: mm

NOTE: Size may change slightly to meet military grade or isolation requirements etc.