

800-2000W

CTA Series

AC/DC

Features

Wide range of input voltage
 Broadband noise filter of input
 Surge suppress circuit of input
 Comply with UL1950, IEC950 safety regulation
 Attractive outline design
 Terminal connection method
 Easy installation
 Fast dynamic response



Input Characteristic

Voltage Range 220 VAC 176-264 VAC

Reverse Protection Connect Fuse Outside

Output Characteristic

Voltage Set-point Accuracy $\pm 1\%$
 Line Regulation $\pm 0.2\%$
 Load Regulation $\pm 0.4\%$
 Temperature Coefficient $\pm 0.01\%/^{\circ}\text{C}$
 Output Current Limiting 120%(Typ)
 Dynamic Response 400 μs
 Output Current 13-66A
 Output Voltage 12-110V
 Power 800-2000W

General Characteristic

Switching Frequency 160-200 KHz
 Isolation Resistance 200 M Ω
 MTBF >500000 h
 Isolation Voltage
 Input-Output >1500 VAC/1min(Leak <5mA)
 Input-Case >1500 VAC/1min(Leak <5mA)
 Output-Case >500 VDC/1min

Environmental Characteristics

Case Temperature (Industry) -25 - +85 $^{\circ}\text{C}$
 (Military I) -40 - +85 $^{\circ}\text{C}$
 (Military II) -55 - +85 $^{\circ}\text{C}$
 Storage Temperature (Industry) -45 - +105 $^{\circ}\text{C}$
 (Military) -55 - +105 $^{\circ}\text{C}$

Heat Characteristic

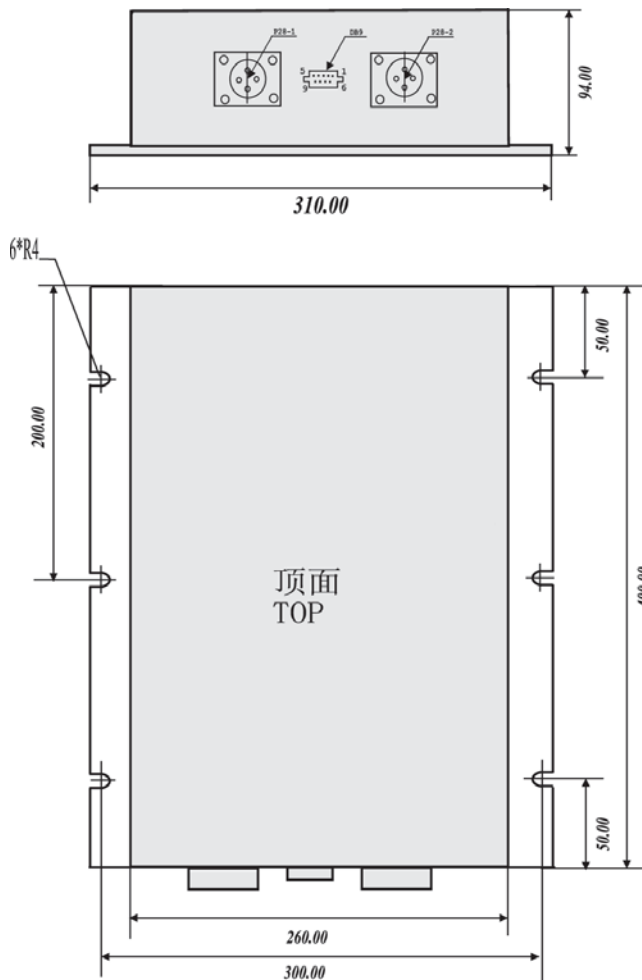
Cooling	Thermal Resistance
Breeze of Nature	0.20 $^{\circ}\text{C}/\text{W}$
0.5M/S	0.17 $^{\circ}\text{C}/\text{W}$
1M/S	0.13 $^{\circ}\text{C}/\text{W}$
1.5M/S	0.09 $^{\circ}\text{C}/\text{W}$
2M/S	0.07 $^{\circ}\text{C}/\text{W}$

Models

Input voltage (Vdc)	Input Range	Output voltage (Vdc)	Output current (A)	Ripple and noise pk-pk(mv)	Efficiency Typical	Models
220	176-264	12	66.67	120	85%	CTA800W220S12
220	176-264	15	53.33	150	85%	CTA800W220S15
220	176-264	24	41.67	200	86%	CTA1000W220S24
220	176-264	24	62.5	200	86%	CTA1500W220S24
220	176-264	28	53.57	280	86%	CTA1500W220S28
220	176-264	48	20.83	400	87%	CTA1000W220S48
220	176-264	48	41.67	400	87%	CTA2000W220S48
220	176-264	110	13.64	800	87%	CTA1500W220S110

Only typical models listed. If you need other model, please contact us for costum models

Mechanical drawing and pin definition



单位 (Unit):mm

P28-1	
引脚 PIN	单路 SING
1	Gr
2	AC
3	AC
4	NC

P28-2	
引脚 PIN	单路 SING
1	+Vo
2	+Vo
3	-Vo
4	-Vo